

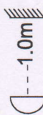
INSTALLATION USE AND MAINTENANCE INSTRUCTIONS

Warning | Safety of this floodlight is guaranteed only if the following instructions are properly respected. It is therefore necessary to preserve them.

- Warning! Before connecting to the main network, during positioning or replacement of lamps, ensure the tension has been disconnected.

- For positioning or replacement of lamp, follow the instructions given by the lamp's manufacturer, which should be supplied with the lamp itself. Use only lamps with anti-UV protection.

When the LED floodlight is on, ensure that a minimum distance of 1m between the lamp and the illuminated surface is respected, as indicated by the relative symbol (Fig.2-3).



- The LED floodlight can be used only with the protective glass. It's a float tempered glass. Sodic-calcic type.

- The LED floodlight is suitable for outdoor and indoor use.

- Fix the supporting bracket of the LED floodlight by means of (at least) 2 screws M10 positioned in the outer holes of the bracket (Fig.4).

- After adjusting the LED floodlight's aiming, tighten the 3 screws M10 which is fixing to the bracket, with 50+55Nm torsion.

- The LED floodlight is not suitable for serial installation of more floodlights.

- For wire connections of the floodlight make use of cables type Only 1.0mm² feed cable or better ones can be used.

- Connect it to the terminal board as shown in Fig.1.

- After connecting the feeding cable to the LED floodlight's terminal board block it with the cable clamp and tighten the cable gland deeply.

- During installation and use, follow the instructions about functioning positions and minimum distances as indicated by Figures 5-6 and do not aim the LED floodlight towards walls or ceilings.

- Each angle will be controlled by tightening the affixed screw at the bracket. Fig.7

- If the external flexible cable on cord of this luminaire is damaged, it shall be exclusively replaced by the manufacturer or his service agent or a similar qualified person in order to avoid a hazard.

- Installation height / installation position: any.

- the light source contained in this luminaire shall only be replaced by the manufacturer or his service agent or a similar qualified person.

- caution, risk of electric shock

- Terminal block not included. Installation must be performed by a qualified person.

- mounting height: 2.5m-25m. Only to be installed outside arms reach.

Characteristics:

- PRI: AC120V-277V ~ 50/60Hz

- Lamp holder: LED

- Protection degree: IP66

- Cos φ : 0.9

- Power: 50W

- Screws: M10

- N.W: 1.32kg

- Max surface exposed to the Projection area: 0.05m²

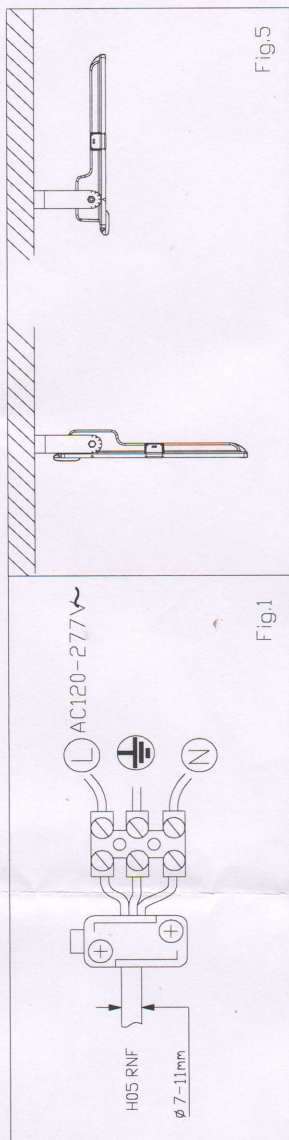


Fig.1

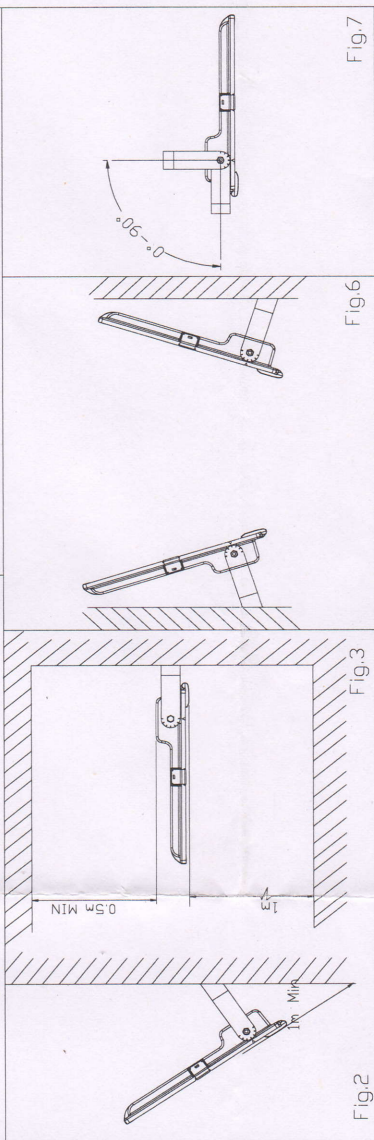
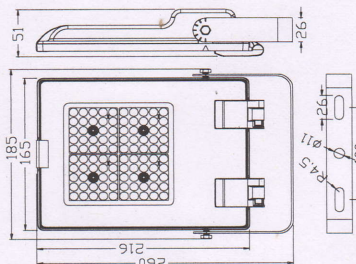


Fig.2

Fig.3

Fig.6

Fig.7



GLT-RF-B-50W

Fig.4